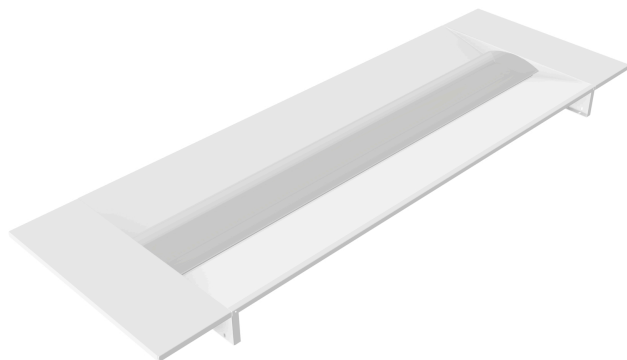


# BLRT26

LED Metric Recessed Troffer



Project	
Nomenclature	
Type	Date
Approval	
Notes	

The BLRT26 is a recessed lay-in fixture designed for use in T-bar ceilings and is well suited for use in office spaces where a clean, professional, 20x60 footprint is required

## Luminaire Summary

### Features

- Operating temperature ranges available from -20C to 25C
- L70 of 150,000+ hours, L90 of 45,000+ hours
- Standard 0 - 10V dimming
- Available in 2700K, 3000K, 3500K, 4000K, 5000K and 6500K
- Lumen packages are available ranging from 3L (3254lm) to 10L (9966lm)

### Approvals

- ETL certified to UL Canada and United States standards
- Made with UL Listed components

### Mounting

- Holes provided for chain or hanger, and wire mounting support for T-Bar ceilings

### Construction

- Manufactured in Ontario, Canada
- Shallow fixture design for easy installation
- Powder-coated in matte white
- Access panel provided for easy wiring
- Cold-rolled steel parts are precision bent for added strength and rigidity

### Electrical

- Available in 120-277V, 120-347V, 347V and 480V

### Options

- Wireless Controls Available
- 90 and 95+ CRI Options Available
- 120-347V(UN3) Available
- Passive/Active Air Handling Available

# BLRT26

LED Metric Recessed Troffer | Nomenclature



## Ordering Information

Fill in the fields below with your product selections. If you need help with this section, [contact your local sales professional](#).



1	2	3	4	5
BLRT26				

Series	Lumen Output		CRI	Colour Temp	Voltage
BLRT26	26 - 3L	3,254lm	8 - 80 CRI	27 - 2700K	UNV - 120-277V
	26 - 4L	4,300lm	9 - 90 CRI	30 - 3000K	UN3 - 120-347V
	26 - 5L	5,316lm	1 - 95+ CRI	35 - 3500K	347 - 347V
	26 - 6L	6,304lm		40 - 4000K	480 - 480V
	26 - 7L	7,263lm		50 - 5000K	
	26 - 8L	8,192lm		65 - 6500K	
	26 - 9L	9,093lm			
	26 - 10L	9,966lm			

6
---

## Options

### Lenses

BLANK | Frosted Acrylic

### Dimming

B11 | 0-10V Dimming Leads

B12 | Line Voltage Dimming

B27 | Dim-to-off Driver

B\*\* | Other Options Available\*

### Controls

WC10\* | Encelium Wireless Controls

WC18\* | NX Wireless Controls

WC19\* | Avi-on Wireless Controls

WC22\* | JDRF Wireless Controls

### Motion Sensors

WX15 | Internal Dimming Low Voltage Microwave Sensor

WC20 | Leviton Low-Voltage Sensor

W\*\* | Other Options Available\*

### Emergency Driver

B17 | UL924 10W Battery Back-up

F8 | UL924 Emergency Relay

### Air Handling

H20 | Housing with Passive Air Handling

H24 | Housing with Active Air Handling

### Finish

BLANK | Standard Matte White

C5 | Matte Black

CUSTOM\* | Custom Colour Choice

### Packaging

BLANK | Individually Boxed on Pallets

P0 | Bulk Packaging

P\*\* | Other Options Available\*

### Mounting


BLANK | Metric Recessed

### Warranty

CL7 | 10-Year Comprehensive Warranty Upgrade





### Documentation and Resources

All files and resources are available on our website for download. Files and resources are also embedded as links in this document, listed below. Additional files may be available upon request. Please contact your local sales agent [here](#) or contact [sales@bjtake.com](mailto:sales@bjtake.com) for more information.

 BLRT-26-5L

### Certifications and Listings

Certifications that apply to this fixture and its possible configurations are listed here. More information available upon request.

Icon	Description
	Wireless Controls Available
	ETL Listed
	90 and 95+ CRI Options Available
	120-347V(UN3) Available

### Usage Applications

This fixture can be used in a variety of applications, and is ideal for the following:

Usage Application
Hospitals
Offices
Schools

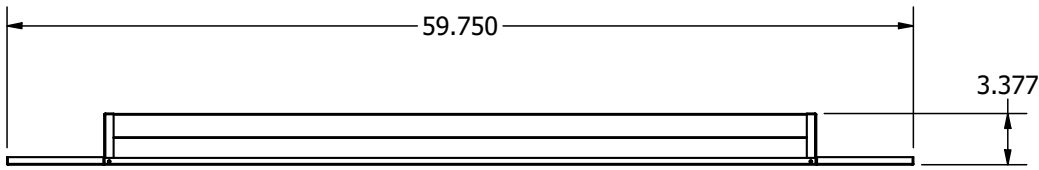
### Warranty Statement

BJ Take products are tested and/or inspected prior to being packaged for shipment and are guaranteed from the day the product is shipped for a period of ten-year LED chip warranty and a five-year comprehensive component warranty. This can be upgraded to a ten-year comprehensive warranty on request.

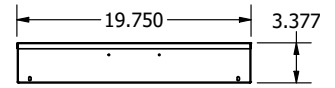
# BLRT26

LED Metric Recessed Troffer | Dimensions & Wattage

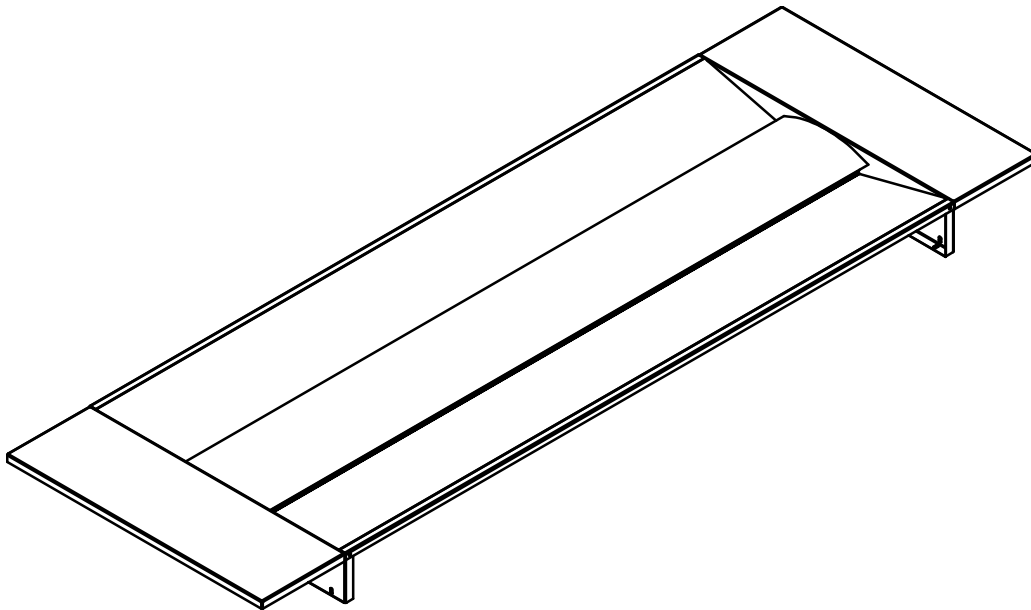
BLRT Metric 20x60, Side Dims



20x60 End View



BLRT Metric 20x60, Isometric View



BLRT, Metric 20x60 Wattage

Size	Lumen Output	Actual Lumen Output	Wattage
26	3	3254	21.70
26	4	4300	29.00
26	5	5316	36.30
26	6	6304	43.70
26	7	7263	51.00
26	8	8192	58.40
26	9	9093	65.70
26	10	9966	73.00

BLRT, Light Loss Factor (LLF)

CCT	Output%
2700K	92.95
3000K	95.51
3500K	96.80
4000K	100.00
5000K	101.28
90CRI	84.72

- \* Drawings aren't to scale
- \* Standard tolerances apply
- \* Specifications may change without notice

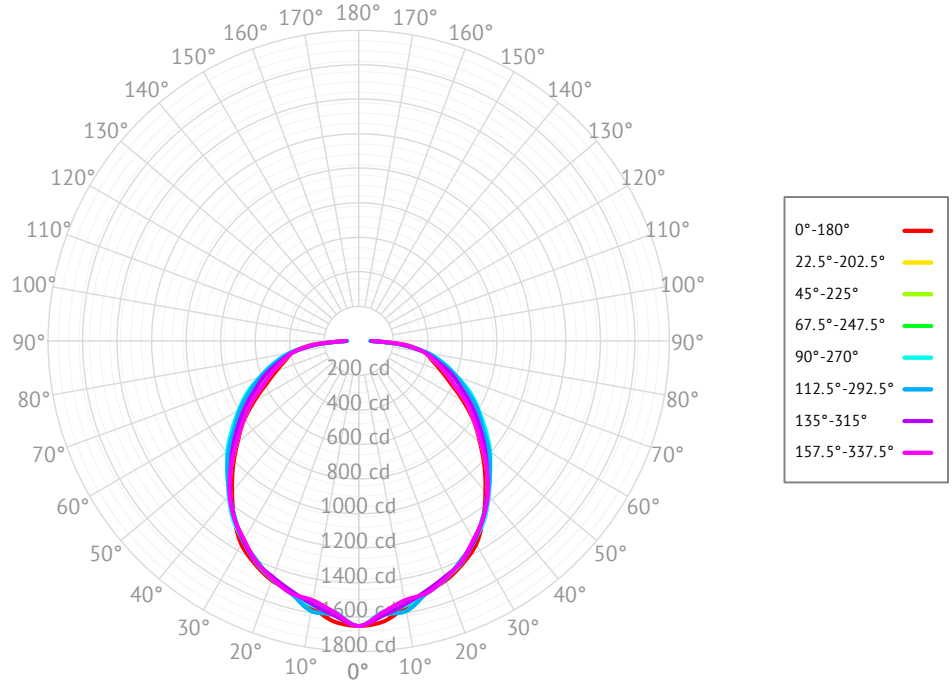
# BLRT26

LED Metric Recessed Troffer | Photometrics

BLRT-26-5L-840

### Cone of Light

Mtg Height	Light Level	Beam Diameter
6.0 ft	45.9 fc	16.8 ft
8.0 ft	25.8 fc	22.4 ft
10.0 ft	16.5 fc	28.0 ft
12.0 ft	11.5 fc	33.6 ft
14.0 ft	8.4 fc	39.2 ft
16.0 ft	6.5 fc	44.8 ft



Based on BLRT-26-5L-840.

# BLRT26

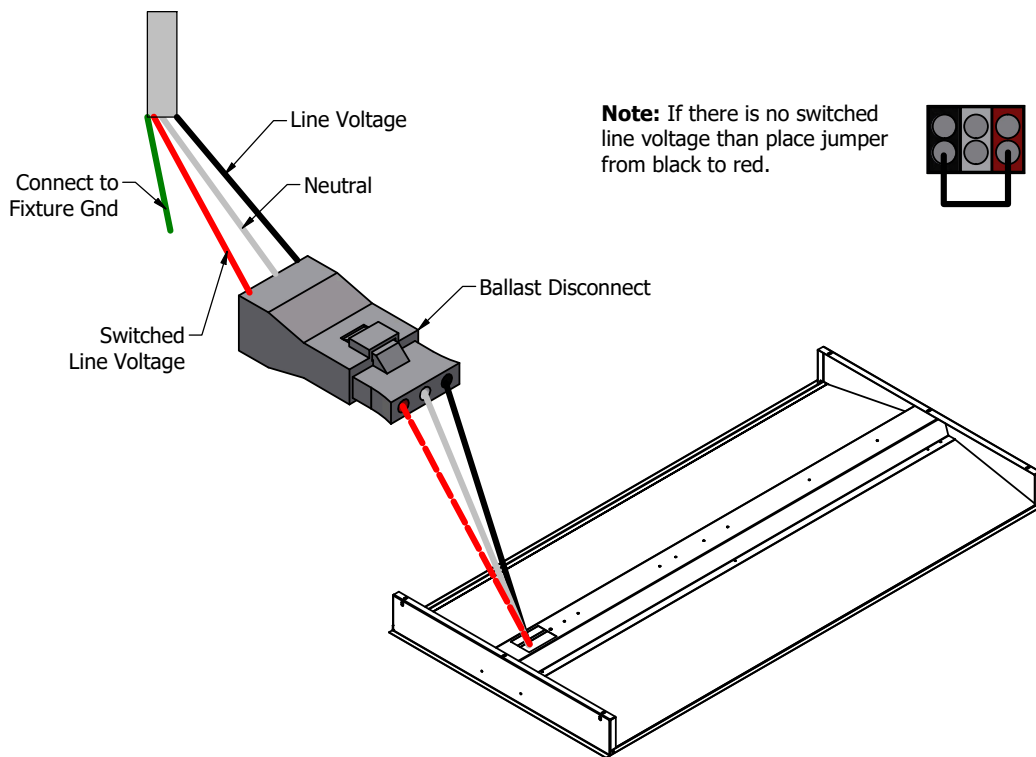
LED Metric Recessed Troffer | Emergency Lighting



## Emergency Battery Plan - 10W

Emergency Lighting	Solution System Components	System Operation
Option Code 'B17' - UL 924 listed components that are factory installed in the luminaire	UL 924 listed 10-watt battery integral to the luminaire	Loss of normal power is detected by the B17 emergency light solution and the power supply is switched automatically to the 10-watt integral battery pack which powers the emergency LED lighting driver.
	UL 924 listed LED emergency lighting driver integral to the luminaire	The battery pack and emergency LED driver are UL 924 certified to provide a minimum of 90-minutes of emergency lighting.
	Wiring options for both switched and unswitched emergency lighting	

## Emergency Lighting Wiring



## Important Information

More information on emergency lighting options and configurations available on request.